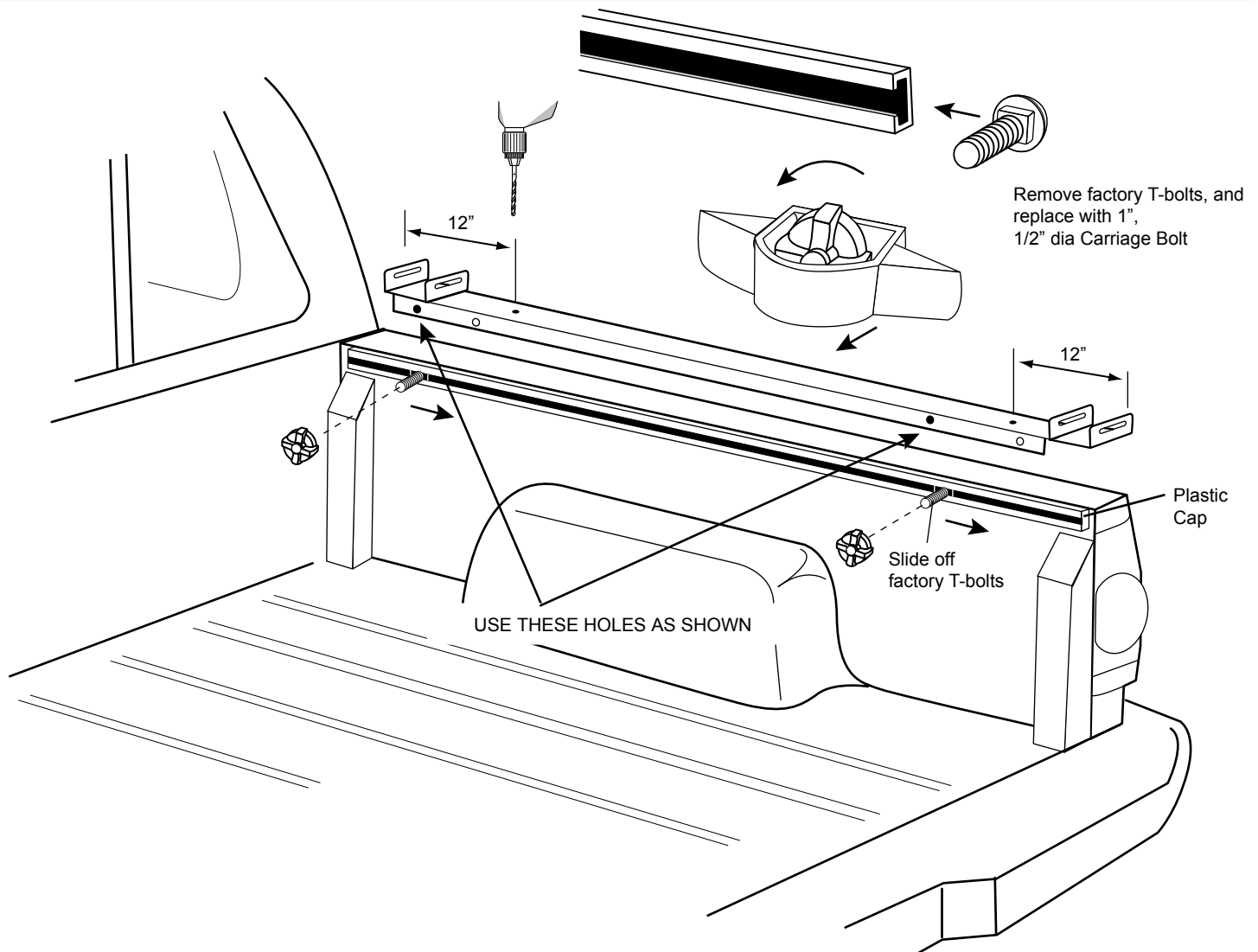


# MOUNTING for '05 + TOYOTA TACOMA 72" FULL LENGTH BED RAILS

**HARDWARE KIT # 31270**

- 1-** Remove the 4 rope tie downs that came with your truck by completely unscrewing the knurled tightening knob. The tightening knob and the plastic tie down bale are separate pieces. Remove plastic cap at the end of the factory C channel. Remove factory T-bolts. Slide 3 - 1" long x 1/2" dia carriage bolts (not included) into each C channel.
- 2-** The top of the Kargo Master Bed rail has no pre drilled holes. We recommend that you drill a nominal 1/4" dia hole in the top of each bed rail, about 12" back from each end (total of 4 holes)
- 3-** Set a bed rail on each side of the truck bed rail. The flange side with the pre drilled holes goes down inside the truck bed. Align the carriage bolts in the C channel with the pre drilled holes in the bed rails. Use the hole closest to each end of the bed rail. Slip the Kargo Master bed rail over the threaded studs, so that the studs protrude out through the holes in the Kargo Master bed rail.
- 4-** Slide each bed rail as far forward as possible. Secure each bed rail in place by putting a 1/2" lock washer and 1/2" nut (not included) on each carriage bolt.
- 5-** Once the bedrails have been tightened in place, we recommend putting a nominal 1/4" sheet metal screw down through each of the two holes on top of each bed rail. **DO NOT OVER TIGHTEN.** This will prevent the rack from sliding back and forth in the C channel.

**That's It!** - you're done here, on to the rack.